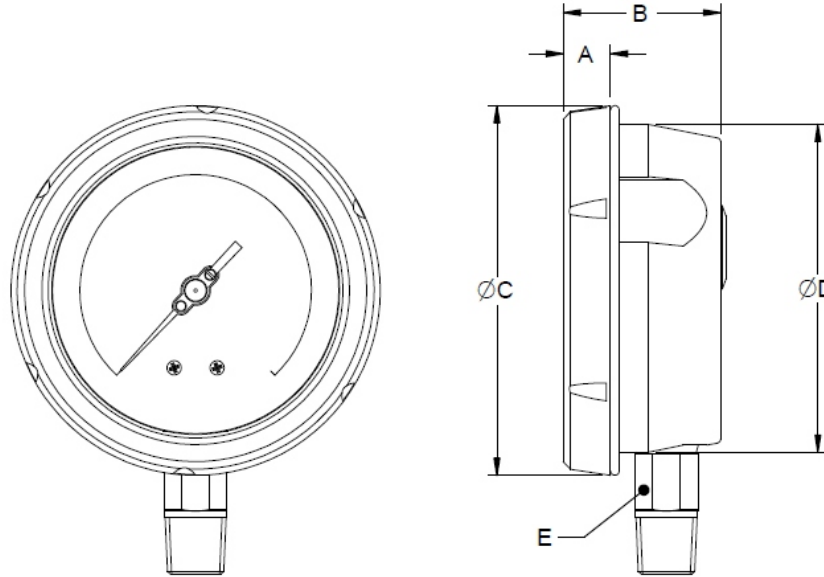


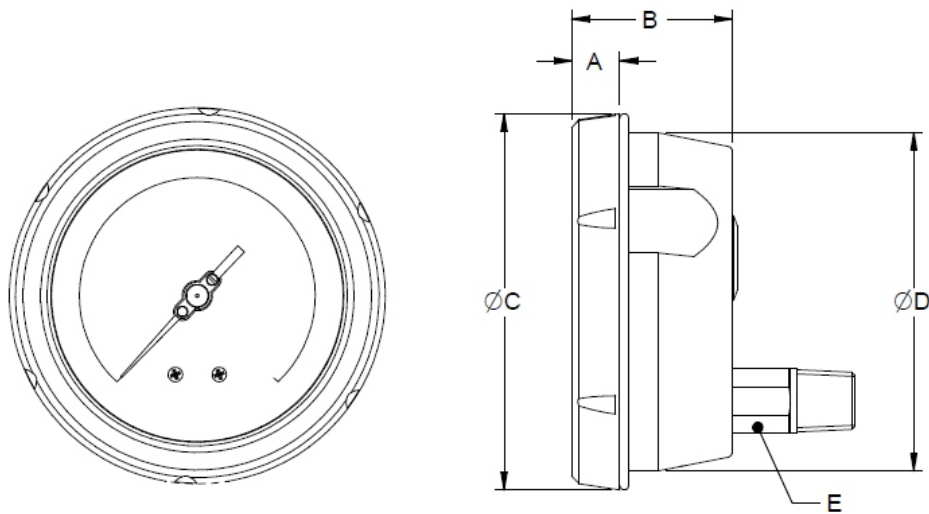
DIMENSIONAL DRAWING

Type B0



| DN | A | B | ØC | ØD | E | Weight (grams) |
|-----|------|----|-------|-------|-------|----------------|
| 100 | 16.5 | 56 | 129.0 | 116.0 | SQ.22 | 506 |
| 150 | 16.0 | 55 | 179.5 | 167.5 | SQ.22 | 900 |

Type R0



| DN | A | B | ØC | ØD | E | Weight (grams) |
|-----|------|----|-------|-------|-------|----------------|
| 100 | 16.5 | 56 | 129.0 | 116.0 | SQ.22 | 506 |
| 150 | 16.0 | 55 | 179.5 | 167.5 | SQ.22 | 900 |