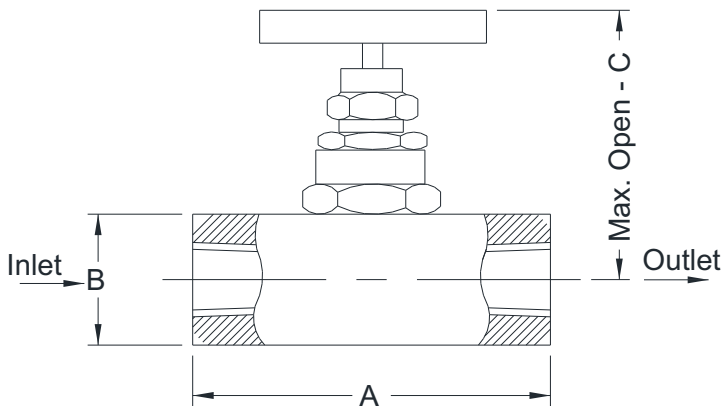
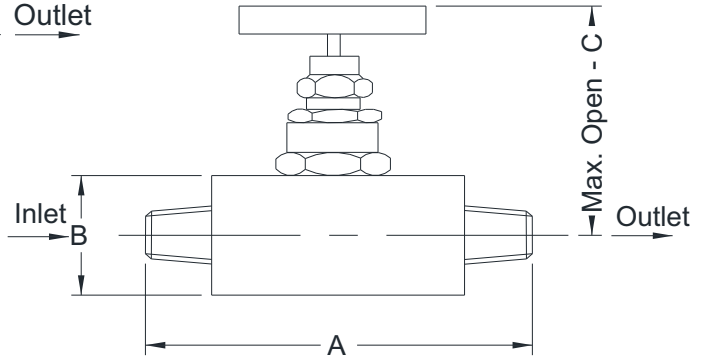


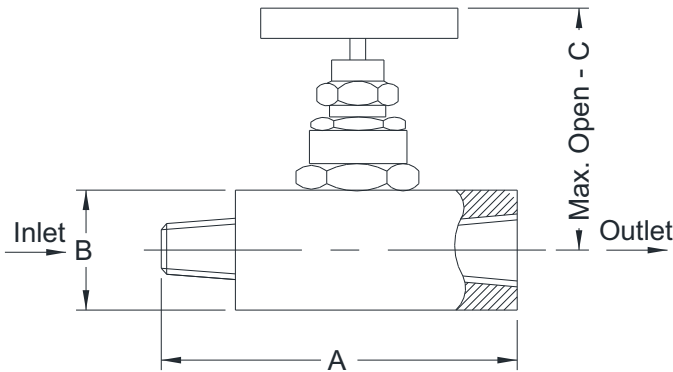
### FEMALE X FEMALE



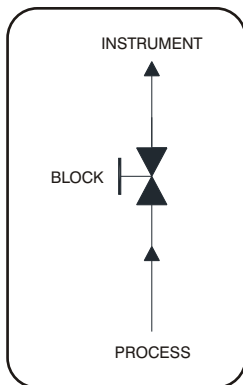
### MALE X MALE



### MALE X FEMALE



### FLOW DIAGRAM



Size	Type	A	B	Max. open - C
NPT 1/8"	F x F	50	22	56
	M x F	56	22	56
	M x M	60	22	56
NPT 1/4"	F x F	55	22	56
	M x F	50	22	56
	M x M	60	22	56
NPT 3/8"	F x F	55	25	56
	M x F	55	25	56
	M x M	55	25	56
NPT 1/2"	F x F	60	28	50
	M x F	65	28	50
	M x M	50	28	50

#### NOTE:

This drawing is a property of ITEC. Unauthorized copying, tracing and use of the drawing by any means without getting permission in writing from ITEC is prohibited. The drawing shall be returned in the "as it is" condition if it is damaged.

TOLERANCE : GENERAL

SCALE : NOT TO SCALE

ALL DIMENSIONS ARE IN "mm"

End-User

Customer

Project

Project No.

Drawn by

TJ

Checked by

GP

Our Ref.

Drawing No.

Revision

Date

Approved by

UV

Product code

V104

Title

NEEDLE VALVES - MINIATURE

