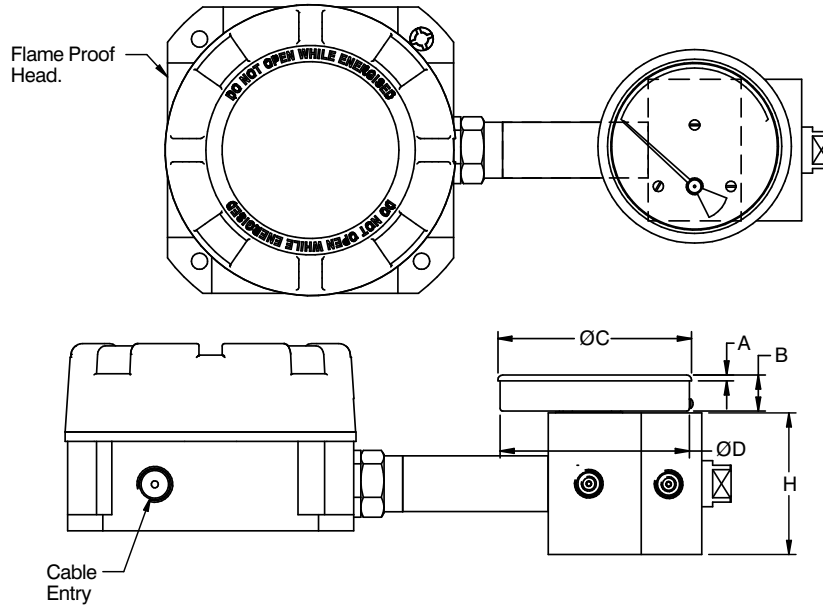


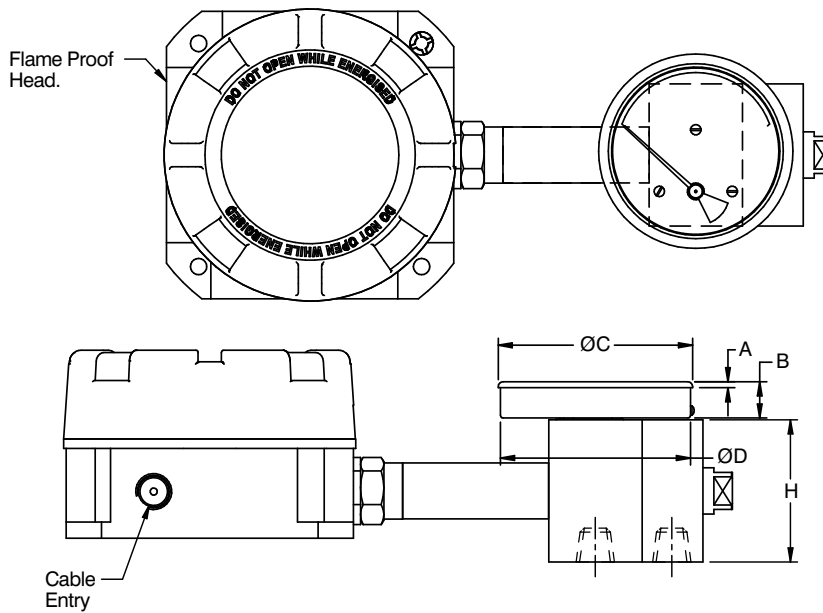
DIMENSIONAL DRAWING

Type B0



DN	A	B	$\varnothing C$	$\varnothing D$	E	H	Weight (grams)
63	2.4	18.6	66.5	63	A/F-20	50	3500
100	3.2	19.5	104	102	A/F-20	50	3810
150	3.2	19.5	155.5	151.5	A/F-20	50	4000

Type R0



DN	A	B	$\varnothing C$	$\varnothing D$	E	H	Weight (grams)
63	2.4	18.6	66.5	63	A/F-20	50	3500
100	3.2	19.5	104	102	A/F-20	50	3810
150	3.2	19.5	155.5	151.5	A/F-20	50	4000

All dimensions are in mm.