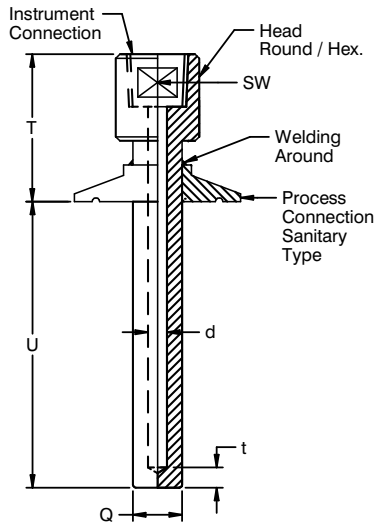
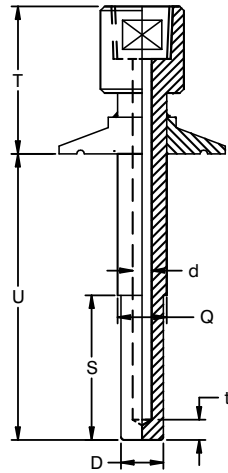


DIMENSIONAL DRAWING

**Straight Thermowell**



**Step Thermowell**



**Taper Thermowell**

