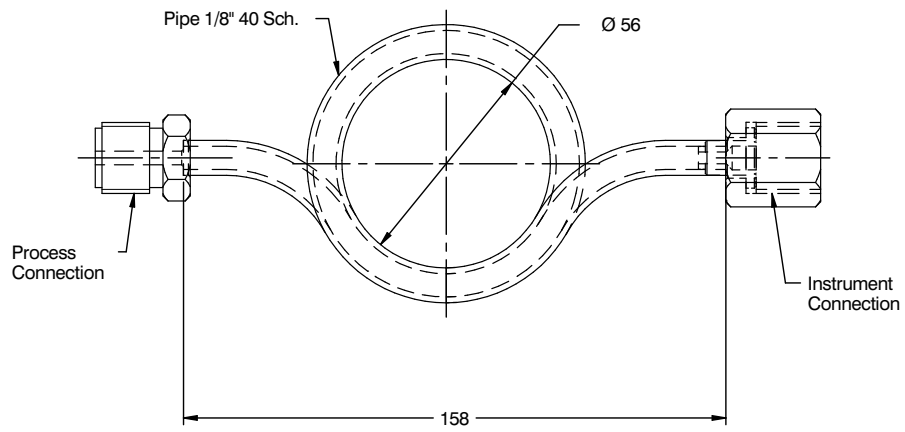


DIMENSIONAL DRAWING

Pattern 1



All dimensions are in mm.