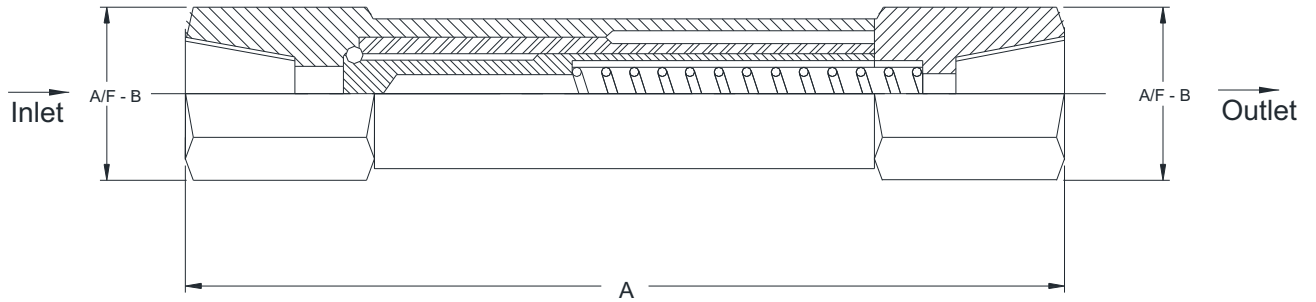
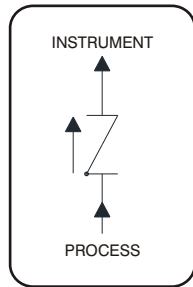


## FEMALE X FEMALE



### FLOW DIAGRAM



Inlet / Outlet Size	A	A/F - B
1/4" (F x F)	62	19
3/8" (F x F)	72	22
1/2" (F x F)	78	27
3/4" (F x F)	86	32
1" (F x F)	100	36
1 1/4" (F x F)	110	50
1 1/2" (F x F)	120	56
2" (F x F)	130	62

**NOTE:**

This drawing is a property of ITEC. Unauthorized copying, tracing and use of the drawing by any means without getting permission in writing from ITEC is prohibited. The drawing shall be returned in the "as it is" condition if it is damaged.

**TOLERANCE : GENERAL**

**SCALE : NOT TO SCALE**

**ALL DIMENSIONS ARE IN "mm"**

End-User		Our Ref.	
Customer		Drawing No.	
Project		Revision	
Project No.		Date	
Drawn by	TJ	Checked by	GP
Approved by	UV		
Product code	V202		
Title	CHECK VALVE		

