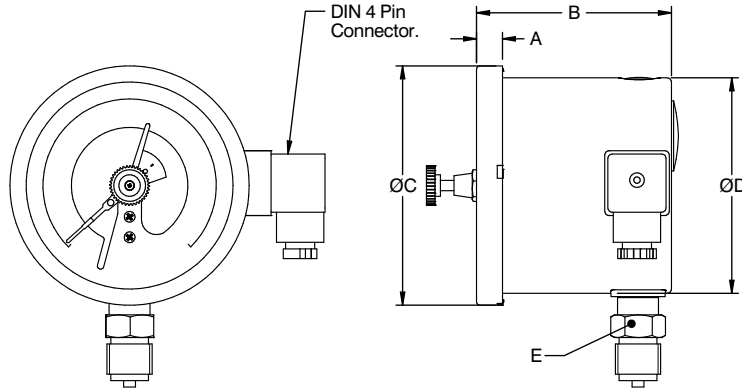


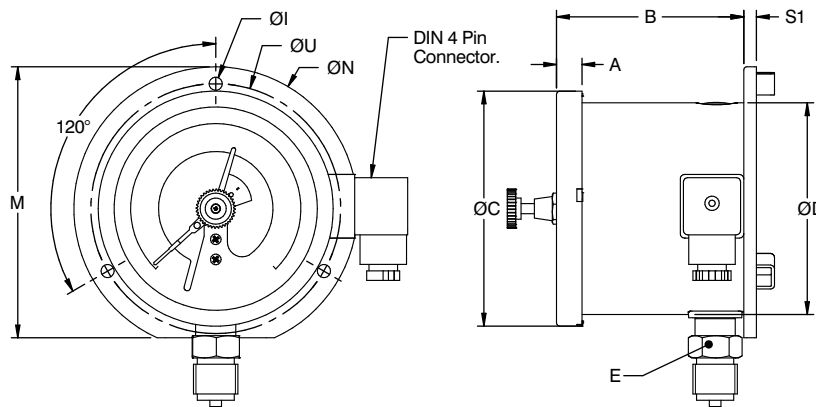
DIMENSIONAL DRAWING

Type B0



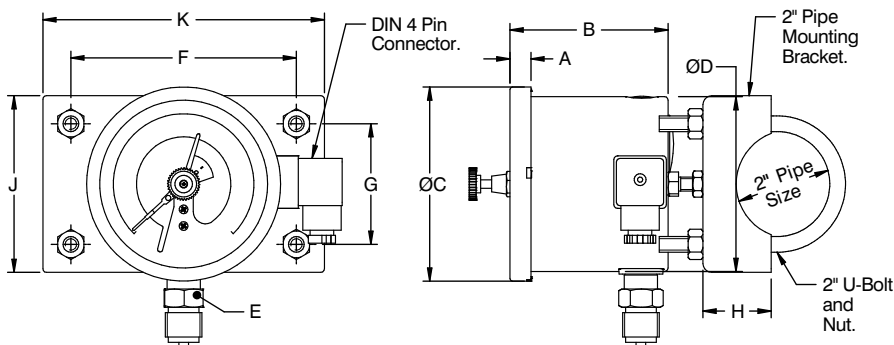
DN	A	B	ØC	ØD	E	Weight (grams)
100	12	90	111	100	A/F-22	801
150	15	90	161	149	A/F-22	1195

Type B1



DN	A	B	ØC	ØD	E	ØI	M	ØN	S1	ØU	Weight (grams)
100	12	94	111	100	SQ.22	6	128	134	6	118	908
150	15	94	161	149	SQ.22	6	172.4	186	6	168	1375

Type B2

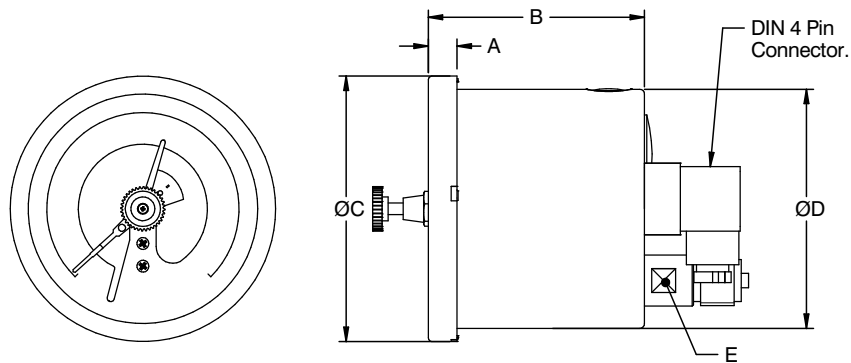


DN	A	B	ØC	ØD	E	F	G	H	J	K	Weight (grams)
100	12	90	111	100	SQ.22	129	69	39	101	161	1875
150	15	90	161	149	SQ.22	129	69	39	101	161	2269

All dimensions are in mm.

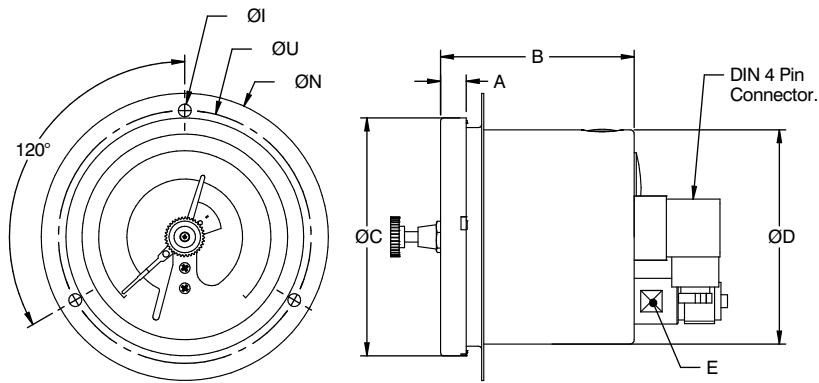
DIMENSIONAL DRAWING

Type L0



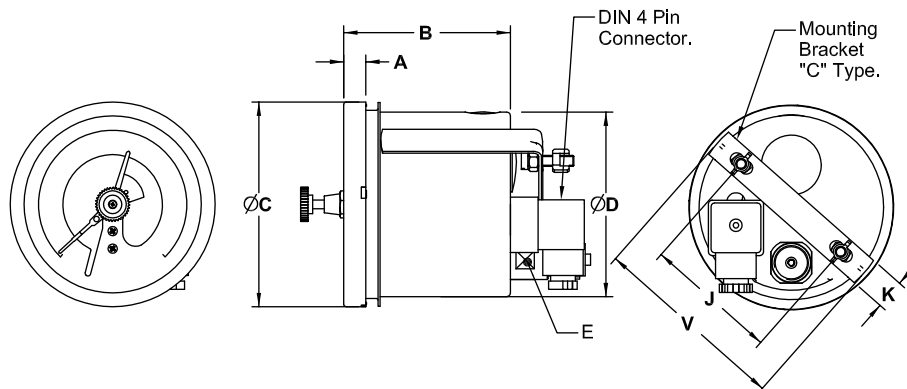
DN	A	B	ØC	ØD	E	Weight (grams)
100	12	90	111	100	A/F-22	801
150	15	90	161	149	A/F-22	1195

Type L1



DN	A	B	ØC	ØD	E	ØI	ØN	ØU	Weight (grams)
100	12	90	111	100	SQ.22	6	134	118	833
150	15	90	161	149	SQ.22	6	186	168	1269

Type L2



DN	A	B	ØC	ØD	E	J	K	V	Weight (grams)
100	12	90	111	100	SQ.22	72	16	108	813
150	15	90	161	149	SQ.22	106.5	16	158.5	1284

All dimensions are in mm.