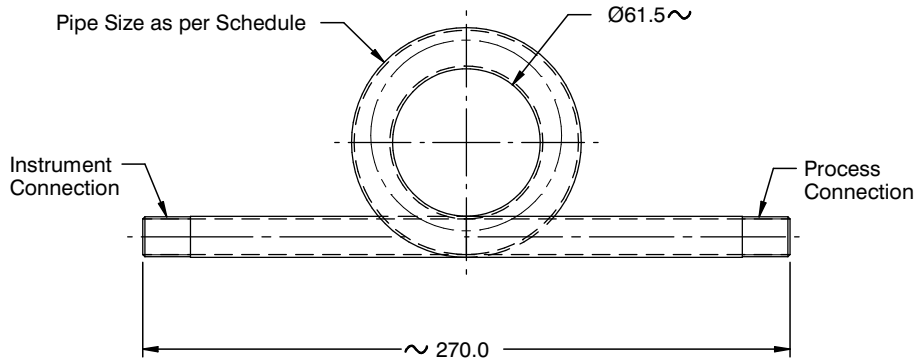
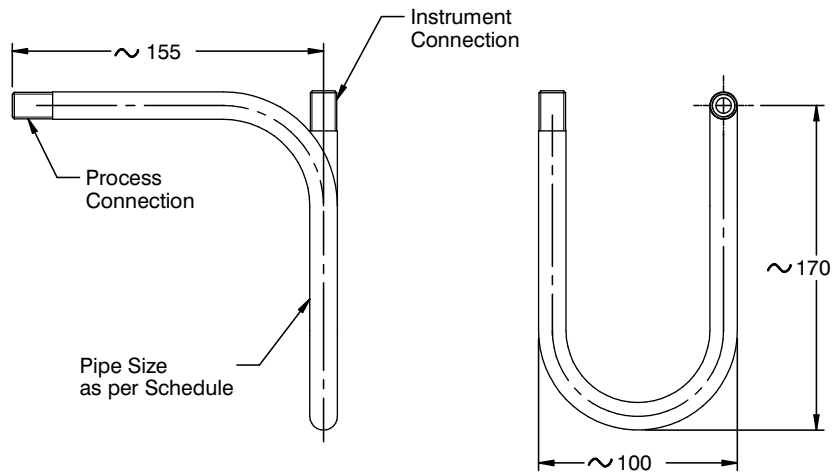


DIMENSIONAL DRAWING

Pattern 1



Pattern 2



All dimensions are in mm.