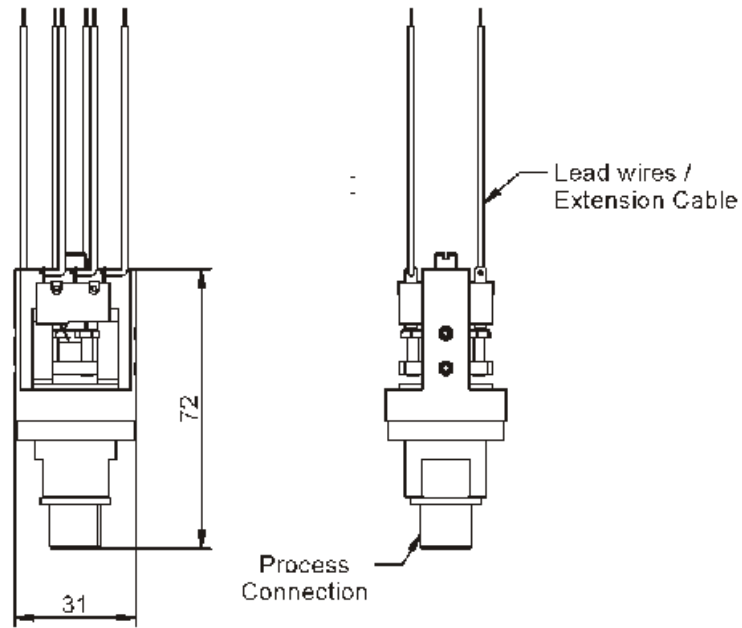


### DIMENSIONAL DRAWING



All dimensions are in mm