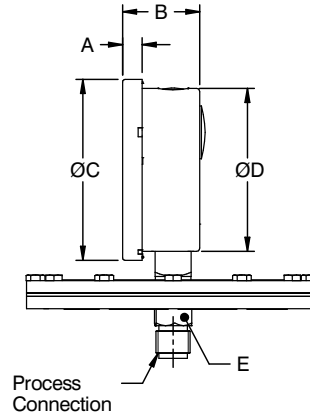
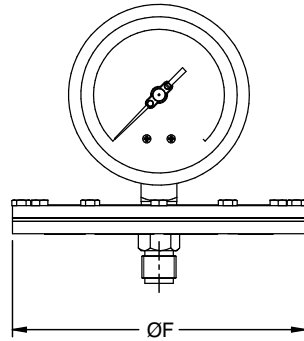


DIMENSIONAL DRAWING

Type B0

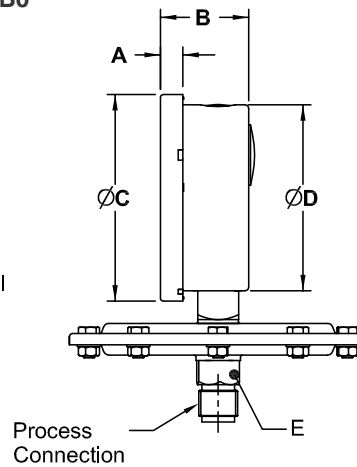
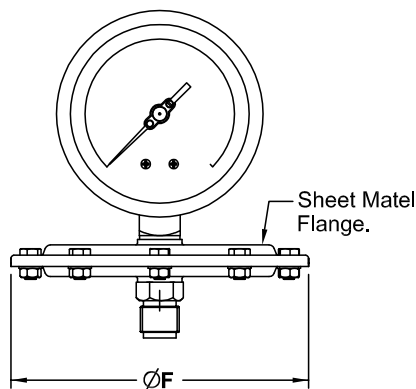


Range	DN	A	B	ØC	ØD	E	ØF	Weight (grams)
1 to 25 bar	100	12	48	111	100	A/F-22	98	1551
	150	15	48	161	149	A/F-22	98	1945

Range	DN	A	B	ØC	ØD	E	ØF	Weight (grams)
40 mbar to 600 mbar	100	12	48	111	100	A/F-22	150	2235
	150	15	48	161	149	A/F-22	150	2629

Range	DN	A	B	ØC	ØD	E	ØF	Weight (grams)
Below 40 mbar to 6 mbar	100	12	48	111	100	A/F-22	180	2914
	150	15	48	161	149	A/F-22	180	3308

Type B0



Range	DN	A	B	ØC	ØD	E	ØF	Weight (grams)
1 to 25 bar	100	12	48	111	100	A/F-22	98	810
	150	15	48	161	149	A/F-22	98	1204

Range	DN	A	B	ØC	ØD	E	ØF	Weight (grams)
40 mbar to 600 mbar	100	12	48	111	100	A/F-22	160	1583
	150	15	48	161	149	A/F-22	160	1977

Range	DN	A	B	ØC	ØD	E	ØF	Weight (grams)
Below 40 mbar to 6 mbar	100	12	48	111	100	A/F-22	180	1416
	150	15	48	161	149	A/F-22	180	1810

All dimensions are in mm.