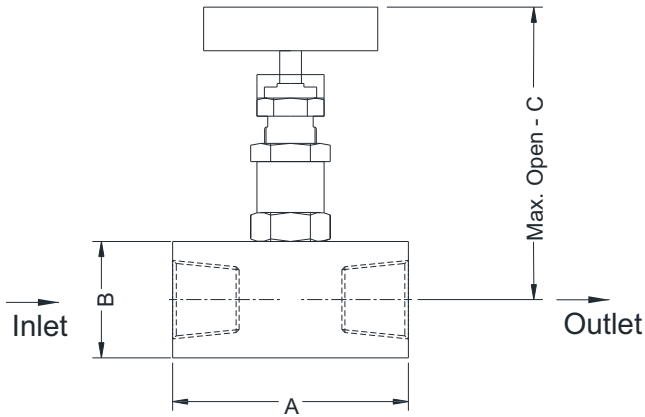
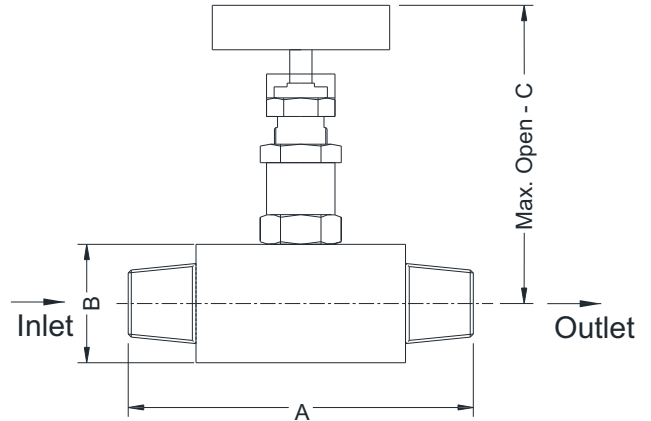


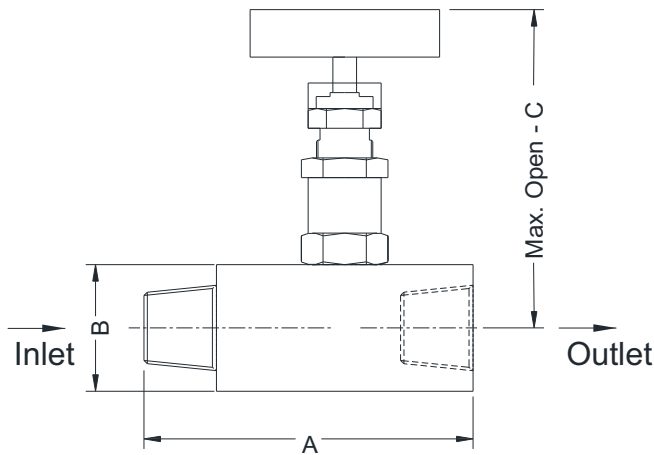
FEMALE X FEMALE



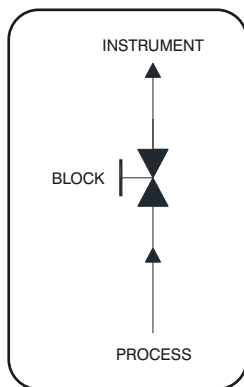
MALE X MALE



MALE X FEMALE



FLOW DIAGRAM



Connections		Length A	Width B	Max. open - C Stem Type		
Size	Type			HS	SS	RP
NPT 1/8"	F x F	50	20	55	65	64.5
	M x F	55	20	55	65	64.5
	M x M	60	20	55	65	64.5
NPT 1/4"	F x F	55	25	65	65	64.5
	M x F	65	25	65	65	64.5
	M x M	60	25	65	65	64.5
NPT 3/8"	F x F	55	25	65	65	64.5
	M x F	65	25	65	65	64.5
	M x M	65	25	65	65	64.5
NPT 1/2"	F x F	65	32	86.6	93.5	94
	M x F	75	32	86.6	93.5	94
	M x M	70	32	86.6	93.5	94
NPT 3/4"	F x F	70	38	88.6	96.5	97
	M x F	75	38	88.6	96.5	97
	M x M	80	38	88.6	96.5	97
NPT 1"	F x F	90	45	98	101	101
	M x F	105	45	98	101	101
	M x M	105	45	98	101	101

NOTE:

This drawing is a property of ITEC. Unauthorized copying, tracing and use of the drawing by any means without getting permission in writing from ITEC is prohibited. The drawing shall be returned in the "as it is" condition if it is damaged.

TOLERANCE : GENERAL

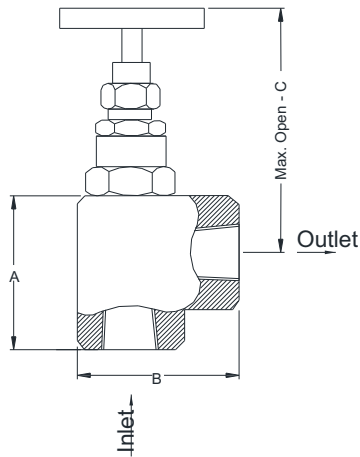
SCALE : NOT TO SCALE

ALL DIMENSIONS ARE IN "mm"

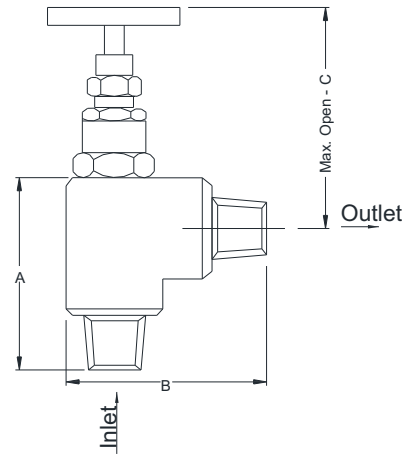
End-User		Our Ref.	
Customer		Drawing No.	
Project		Revision	
Project No.		Date	
Drawn by	TJ	Checked by	GP
Approved by	UV		
Product code	V101		
Title	NEEDLE VALVES - DIRECT FORM		



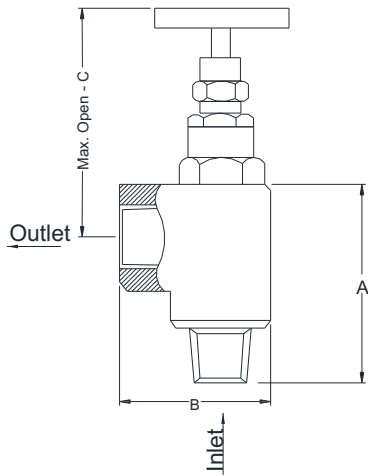
FEMALE X FEMALE



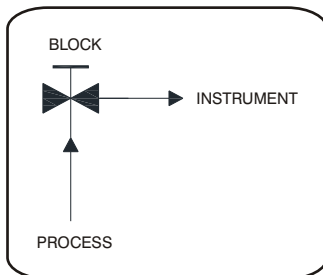
MALE X MALE



MALE X FEMALE



FLOW DIAGRAM



Connections		A	B	Max. open - C Stem Type	
Size	Type			HS	SS
NPT 1/4"	F x F	32	32	62	63
	M x F	48	32	62	63
	M x M	48	48	62	63
NPT 3/8"	F x F	32	32	62	63
	M x F	48	32	62	63
	M x M	48	48	62	63
NPT 1/2"	F x F	50	50	86.6	95.5
	M x F	70	50	86.6	95.5
	M x M	70	70	86.6	95.5

NOTE:

This drawing is a property of ITEC. Unauthorized copying, tracing and use of the drawing by any means without getting permission in writing from ITEC is prohibited. The drawing shall be returned in the "as it is" condition if it is damaged.

TOLERANCE : GENERAL

SCALE : NOT TO SCALE

ALL DIMENSIONS ARE IN "mm"

End-User

Customer

Project

Project No.

Drawn by

TJ

Checked by

GP

Our Ref.

Drawing No.

Revision

Date

Approved by

UV

Product code

V101

Title

NEEDLE VALVES - ANGLE FORM

