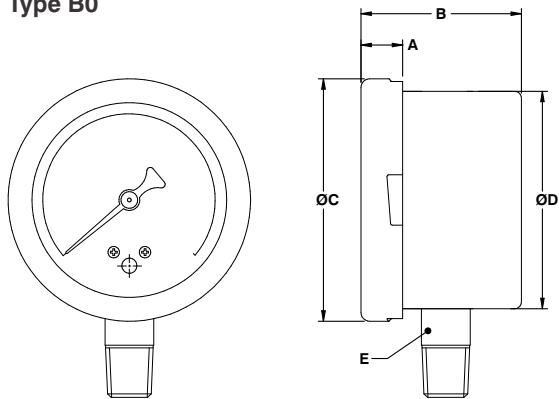


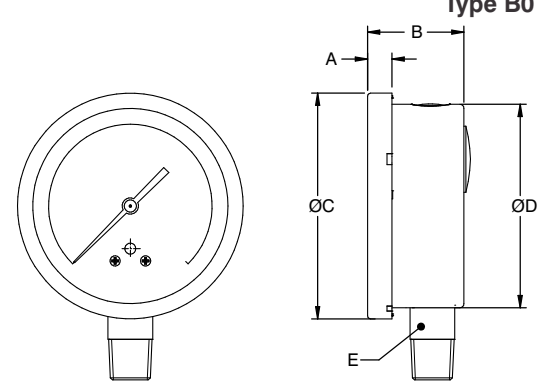
DIMENSIONAL DRAWING

Type B0



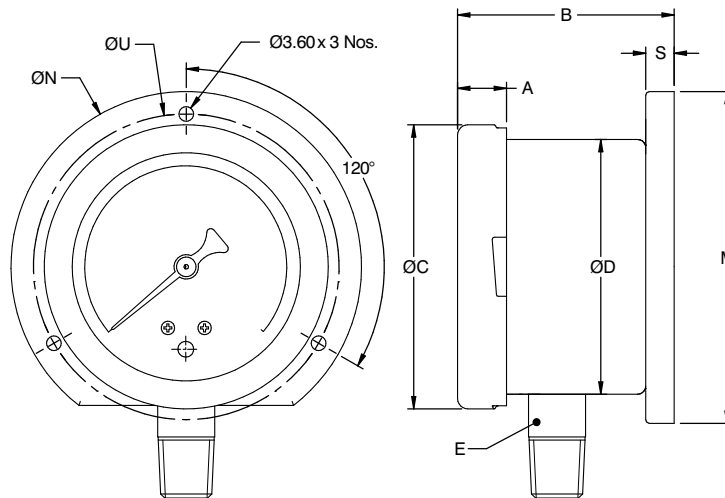
DN	A	B	ØC	ØD	E	Weight (grams)
63	12	43	70	62.5	SQ.14	230

Type B0



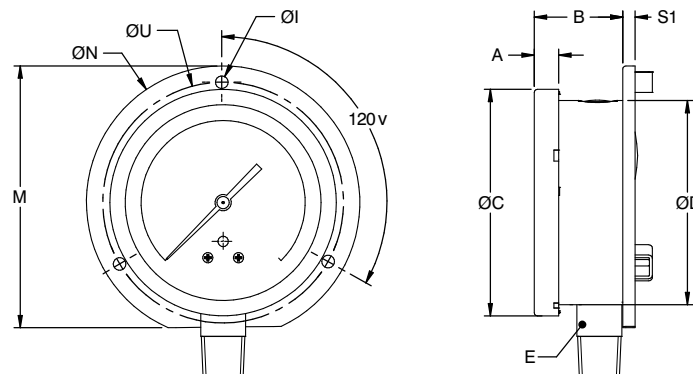
DN	A	B	ØC	ØD	E	Weight (grams)
100	12	48	111	100	SQ.22	523
125	15	48	129	118.5	SQ.22	714
150	15	48	161	149	SQ.22	932

Type B1



DN	A	B	ØC	ØD	E	ØN	ØU	M	S	Weight (grams)
63	12	42	70	62.5	SQ.14	86	75	77	7	284

Type B1

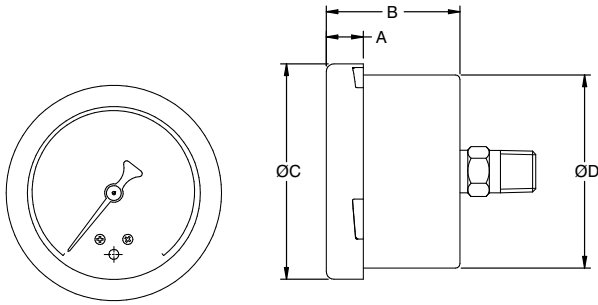


DN	A	B	ØC	ØD	E	ØI	M	ØN	S1	ØU	Weight (grams)
100	12	52	111	100	SQ.22	6	128	134	6	118	638
125	15	50	129	118.5	SQ.22	6	143.5	150	4	137	821
150	15	52	161	149	SQ.22	6	172.4	186	6	168	1105

All dimensions are in mm.

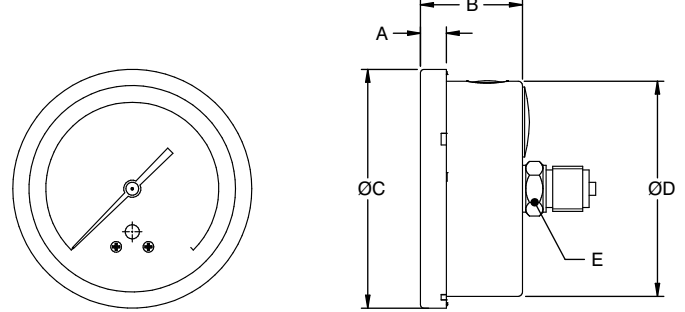
DIMENSIONAL DRAWING

Type R0



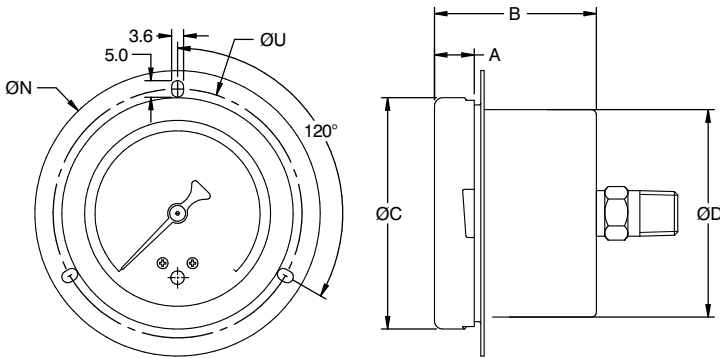
DN	A	B	ØC	ØD	Weight (grams)
63	12	43	69.7	62.5	230

Type R0



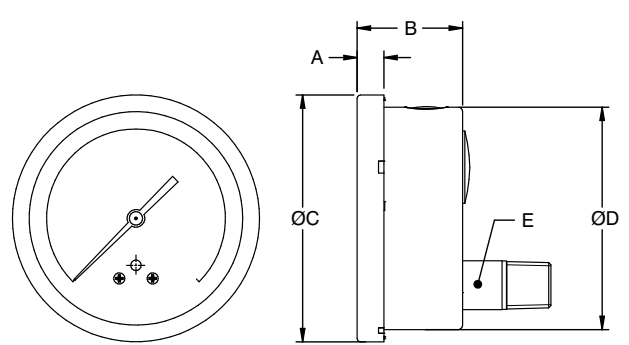
DN	A	B	ØC	ØD	E	Weight (grams)
100	12	48	111	100	SQ.22	520
125	15	48	129	118.5	SQ.22	710
150	15	48	161	149	SQ.22	925

Type R2



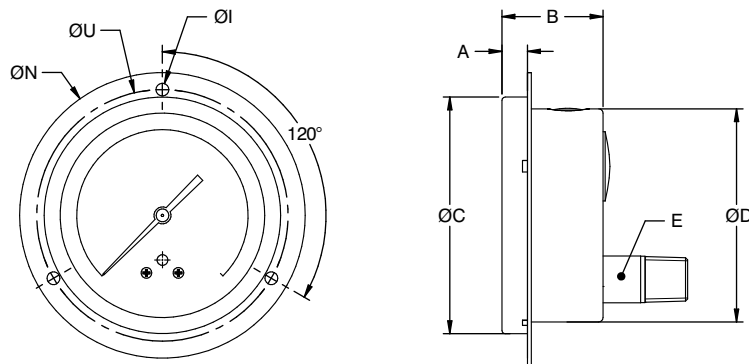
DN	A	B	ØC	ØD	ØN	ØU	Weight (grams)
63	12	43	69.7	62.5	86	75	240

Type L0



DN	A	B	ØC	ØD	E	Weight (grams)
100	12	48	111	100	SQ.22	523
125	15	48	129	118.5	SQ.22	714
150	15	48	161	149	SQ.22	932

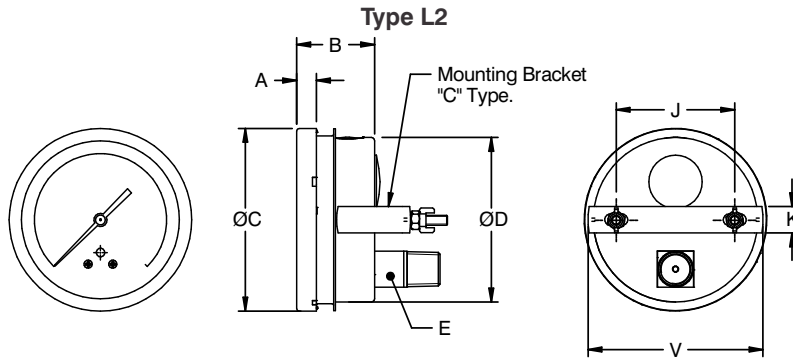
Type L1



DN	A	B	ØC	ØD	E	ØI	ØN	ØU	Weight (grams)
100	12	48	111	100	SQ.22	6	134	118	605
125	15	48	129	118.5	SQ.22	6	150	137	814
150	15	48	161	149	SQ.22	6	186	168	2458

All dimensions are in mm.

DIMENSIONAL DRAWING



DN	A	B	ØC	ØD	E	J	K	V	Weight (grams)
100	12	48	111	100	SQ.22	72	16	108	620
125	15	48	129	118.5	SQ.22	75	15	125	815
150	15	48	161	149	SQ.22	106.5	16	158.5	1091

All dimensions are in mm.