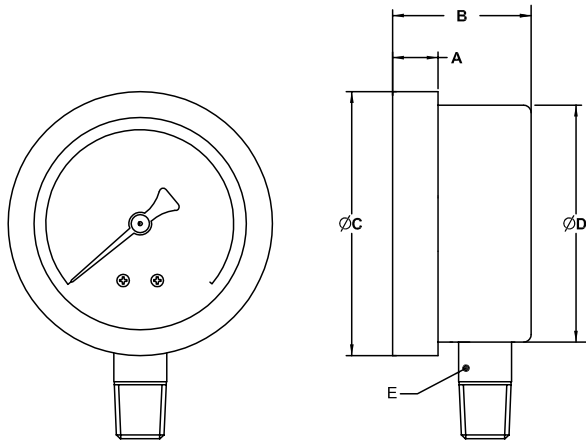


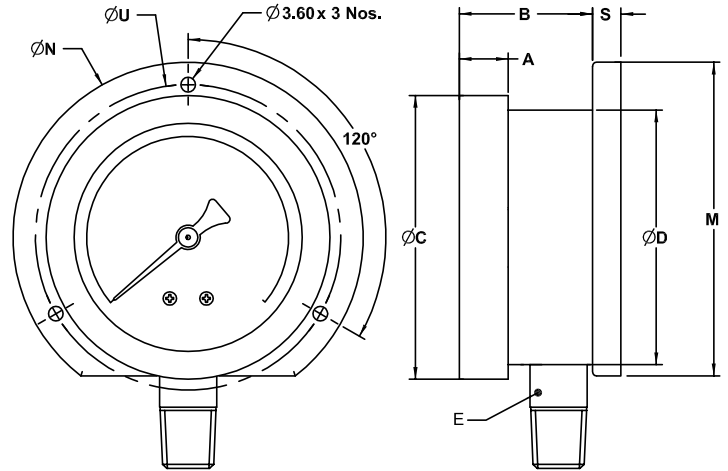
DIMENSIONAL DRAWING

Type B0



| DN | A | B | ØC | ØD | E | Weight (grams) |
|-----|------|------|-----|----|----|----------------|
| 63 | 12 | 30 | 63 | 62 | 14 | 190 |
| 100 | 12.5 | 35.5 | 100 | 98 | 19 | 480 |

Type B1



| DN | A | B | ØC | ØD | E | M | S | ØN | ØU | ØI | Weight (grams) |
|-----|----|----|----|----|----|-----|-----|-----|-----|----|----------------|
| 63 | 12 | 30 | 63 | 62 | 14 | 80 | 5 | 88 | 79 | 5 | 235 |
| 100 | 13 | 36 | 99 | 97 | 17 | 117 | 1.2 | 132 | 118 | 6 | 580 |

All dimensions are in mm.