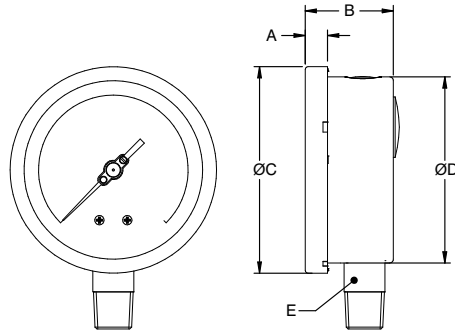


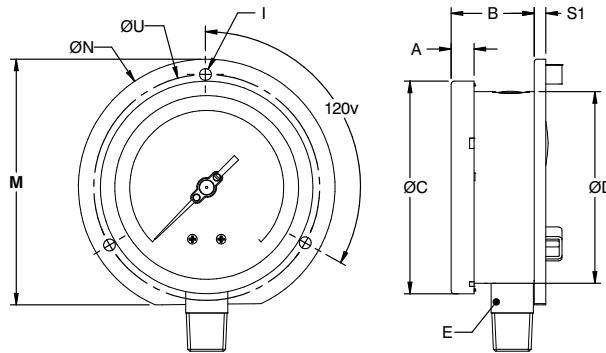
DIMENSIONAL DRAWING

Type B0



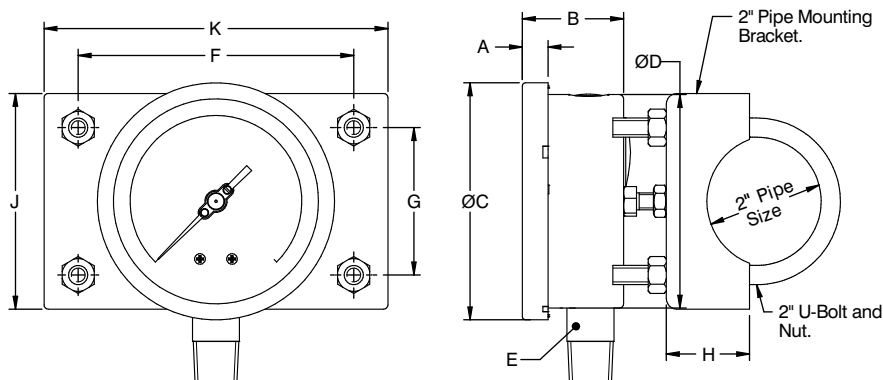
DN	A	B	ØC	ØD	E	Weight (grams)
100	12	48	111	100	SQ.22	506
125	15	48	129	118.5	SQ.22	694
150	15	48	161	149	SQ.22	900
250	18.5	50	263	250	SQ.22	2100

Type B1



DN	A	B	ØC	ØD	E	ØI	M	ØN	S1	ØU	Weight (grams)
100	12	52	111	100	SQ.22	6	128	134	6	118	613
125	15	50	129	118.5	SQ.22	6	143.5	150	4	137	796
150	15	52	161	149	SQ.22	6	172.4	186	6	168	1080
250	18.5	51.5	263	250	SQ.22	7	286.5	290	1.5	276	2448

Type B2

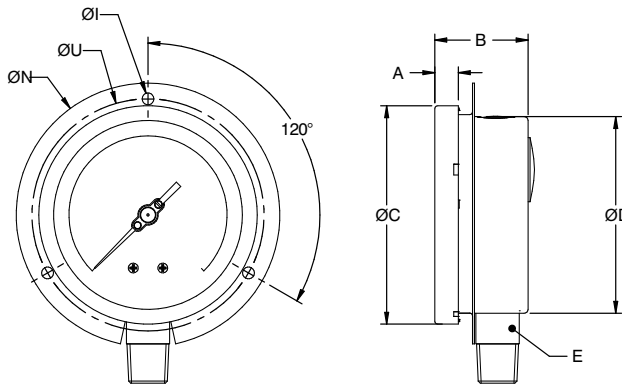


DN	A	B	ØC	ØD	E	F	G	H	J	K	Weight (grams)
100	12	48	111	100	SQ.22	129	69	39	101	161	1580
150	15	48	161	149	SQ.22	129	69	39	101	161	1974

All dimensions are in mm.

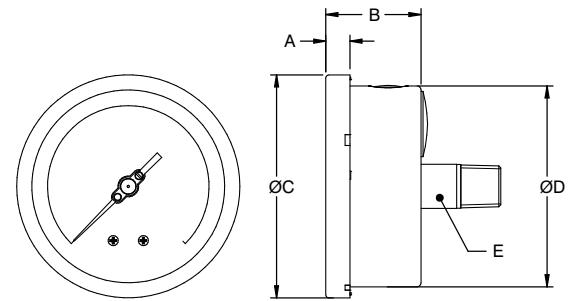
DIMENSIONAL DRAWING

Type B3



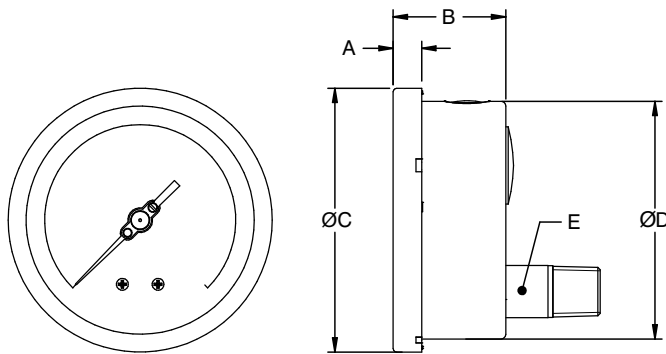
DN	A	B	ØC	ØD	E	ØI	ØN	ØU	Weight (grams)
100	12	48	111	100	SQ.22	6	134	118	580
150	15	48	161	149	SQ.22	6	186	168	2433

Type R0



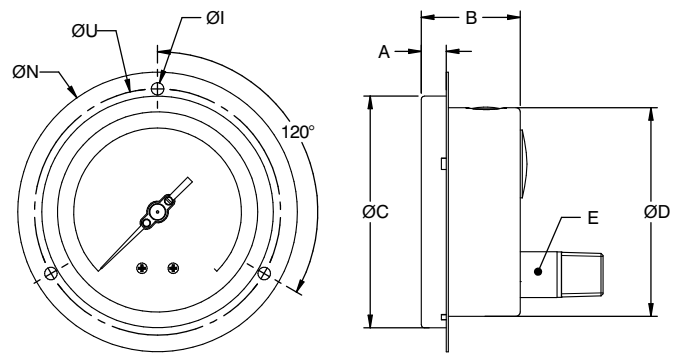
DN	A	B	ØC	ØD	E	Weight (grams)
100	12	48	111	100	SQ.22	506
150	15	48	161	149	SQ.22	2100

Type L0



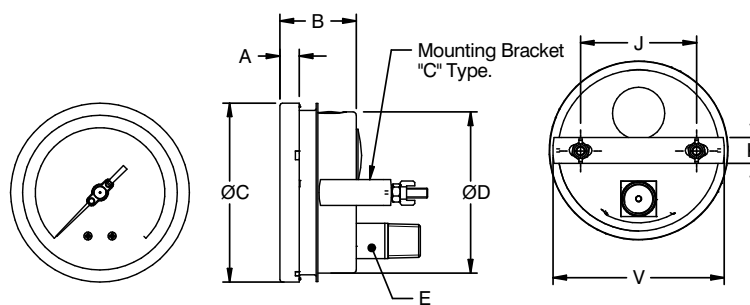
DN	A	B	ØC	ØD	E	Weight (grams)
100	12	48	111	100	SQ.22	506
125	15	48	129	118.5	SQ.22	694
150	15	48	161	149	SQ.22	900
250	18.5	50	263	250	SQ.22	2100

Type L1



DN	A	B	ØC	ØD	E	ØI	ØN	ØU	Weight (grams)
100	12	48	111	100	SQ.22	6	134	118	580
125	15	48	129	118.5	SQ.22	6	150	137	770
150	15	48	161	149	SQ.22	6	186	168	1016
250	18.5	50	263	250	SQ.22	7	290	276	2433

Type L2



DN	A	B	ØC	ØD	E	J	K	V	Weight (grams)
100	12	48	111	100	SQ.22	72	16	108	595
125	15	48	129	118.5	SQ.22	75	15	125	790
150	15	48	161	149	SQ.22	106.5	16	158.5	1066
250	18.5	50	263	250	SQ.22	180	30	270	2310