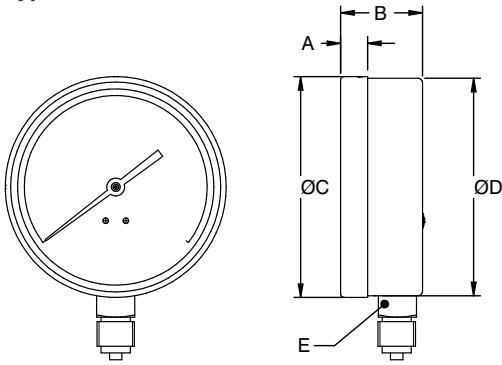


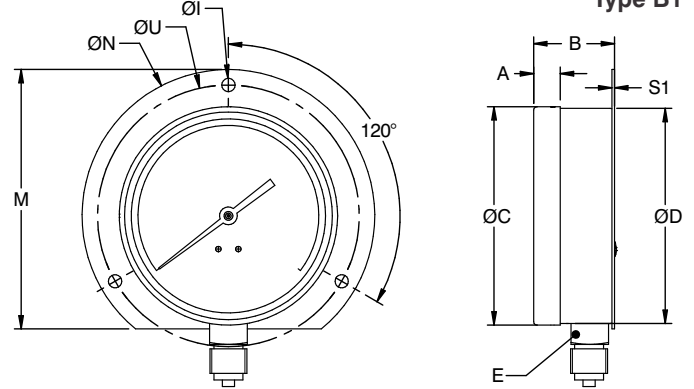
## DIMENSIONAL DRAWING

### Type B0



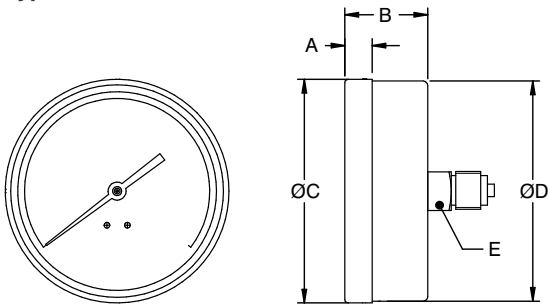
DN	A	B	ØC	ØD	E	Weight (grams)
40	10	26.5	44	42	12	65
50	10	29	53	52	14	90
63	12	29	63	62	14	175
80	12	35	78	76	14	450
100	12	37	98.5	97	17	466
150	16	43	155	154	17	860
250	37.5	51	252	249	22	2060

### Type B1



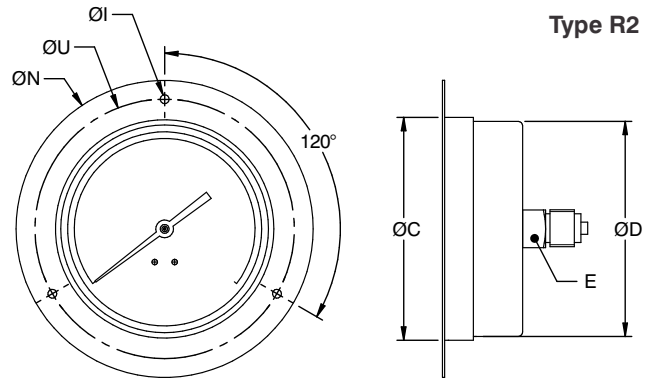
DN	A	B	ØC	ØD	E	ØI	M	ØN	S	ØU	Weight (grams)
63	12	29	63	62	14	5	80	88	5	76	220
80	12	35	78	76	14	5	100	115	5	98	510
100	12	37	98.5	97	17	6	117	132	1.2	118	541
150	16	43	155	154	17	-	181	195.5	7	-	970
250	37.5	51	252	249	22	-	280	288.5	8	-	2210

### Type R0



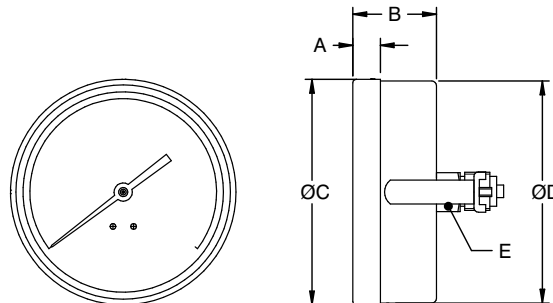
DN	A	B	ØC	ØD	E	Weight (grams)
40	10	26.5	44	42	12	65
50	10	29	53	52	14	90
63	12	29	63	62	14	175
80	12	35	78	76	14	450
100	12	37	98.5	97	17	466
150	16	43	155	154	17	860

### Type R2



DN	A	B	ØC	ØD	E	ØI	ØN	ØU	Weight (grams)
50	10	29	53	52	14	4	90	71	130
63	12	29	63	62	14	4	90	76	215
100	12	37	98.5	97	17	4	134	117	540
150	16	43	155	154	17	5	184	170	976

### Type R3



DN	A	B	ØC	ØD	E	Weight (grams)
63	12	29	63	62	14	315
80	12	35	78	76	14	500
100	12	37	98.5	97	17	556
150	16	43	155	154	17	1026
250	37.5	51	252	249	22	2270

All dimensions are in mm.