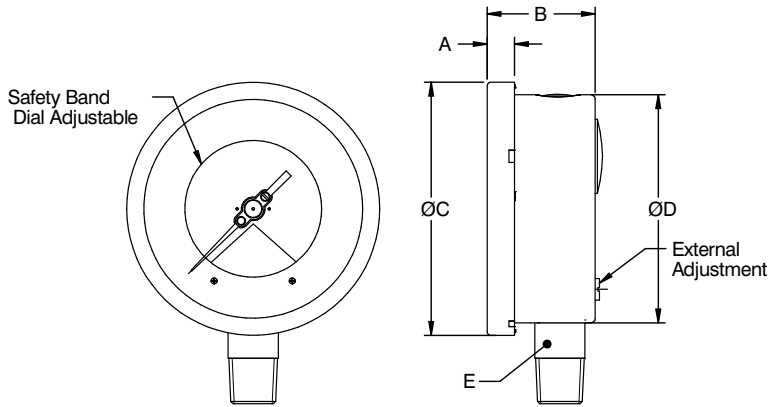


DIMENSIONAL DRAWING

Type L2



DN	A	B	ØC	ØD	E	Weight (grams)
100	12	48	111	100	SQ.22	506
150	15	48	161	149	SQ.22	900

All dimensions are in mm.