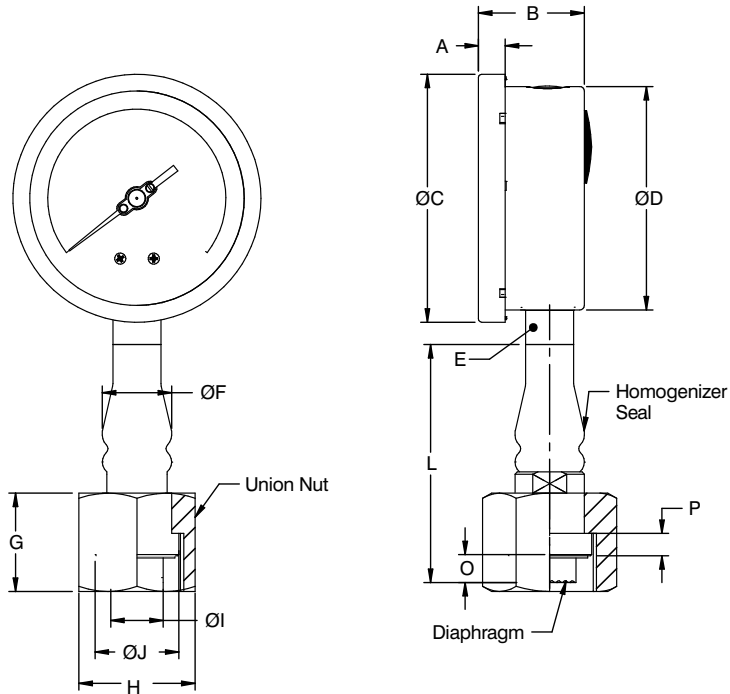


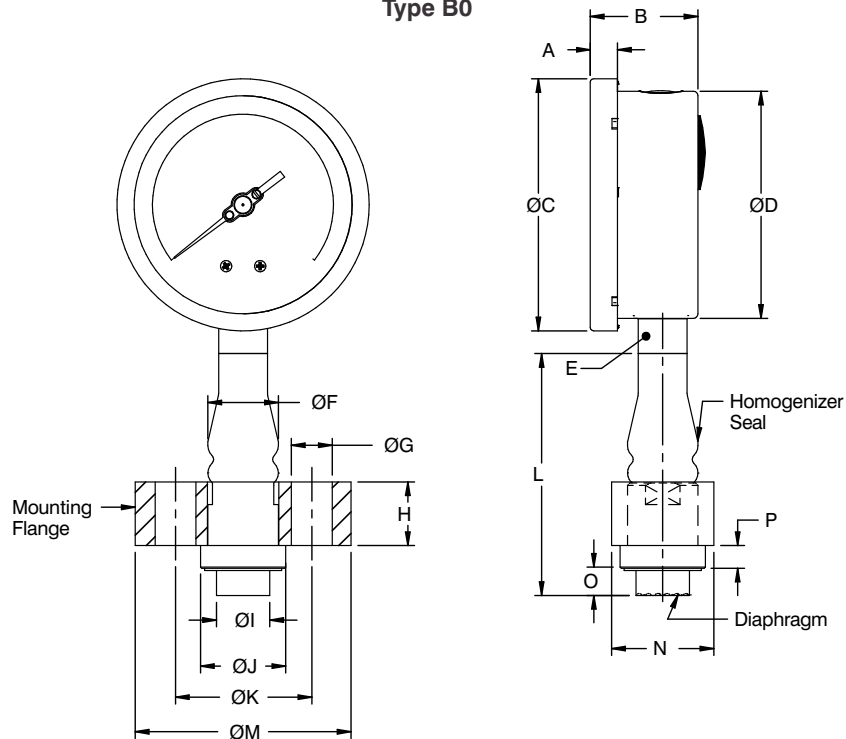
DIMENSIONAL DRAWING

Type B0



DN	A	B	ØC	ØD	E	F	G	H	I	J	L	O	P	Weight (grams)
100	12	48	111	100	SQ.22	31	44	A/F 50	23.5	37.5	106.5	11	11	1761

Type B0

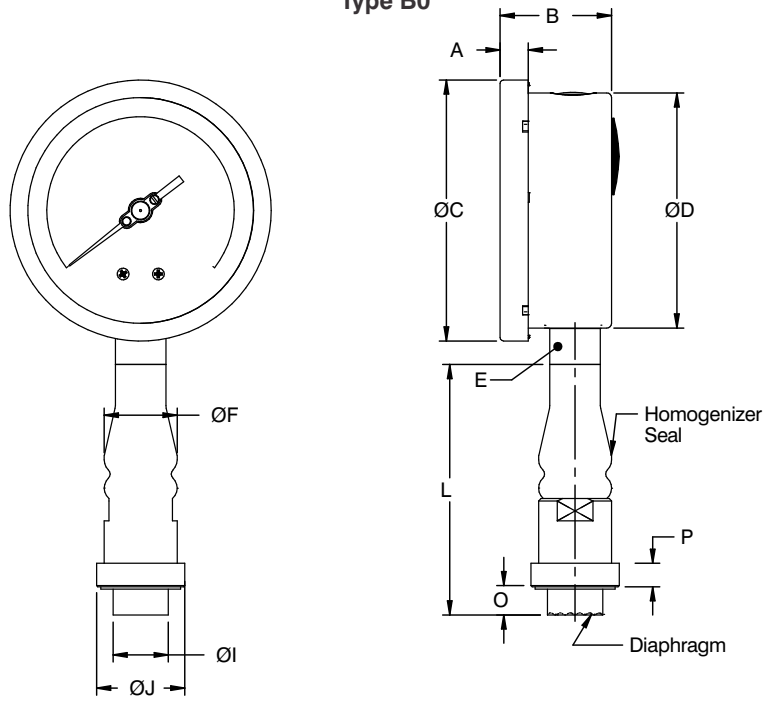


DN	A	B	ØC	ØD	E	ØF	G	H	I	J	K	L	M	N	O	P	Weight (grams)
100	12	48	111	100	SQ.22	31	18	28	23.5	37.5	60	106.5	95	45	11	11	1688

All dimensions are in mm.

DIMENSIONAL DRAWING

Type B0



DN	A	B	ØC	ØD	E	F	I	J	L	O	P	Weight (grams)
100	12	48	111	100	SQ.22	31	23.5	37.5	106.5	11	11	1295

All dimensions are in mm.